

Tiling HighLine Custom

Example with 10mm/20mm tile

The custom solution consists of a rail and a stainless steel base. The shape of the rail ensures accurate fitting inside the unit. The rail and the base are screwed together after which your choice of tile can then be laid.

A heightener set is included for height adjustment of the base.

1. Floor tile is cut to achieve a gap between the tile on the base and the other tiles of at least 6mm.

2. Custom rail and base seen from below.

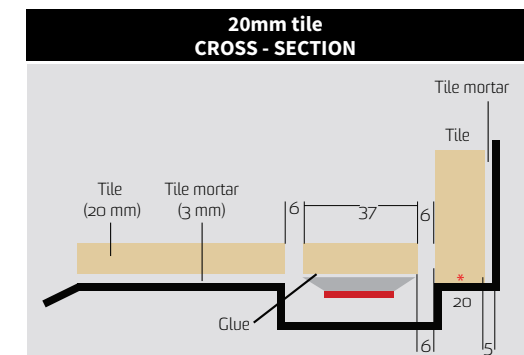
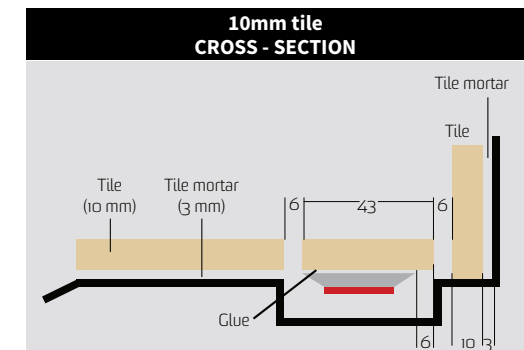
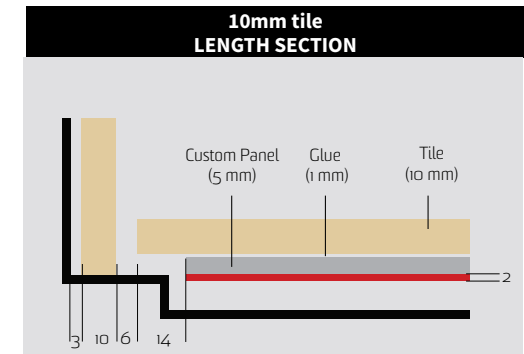
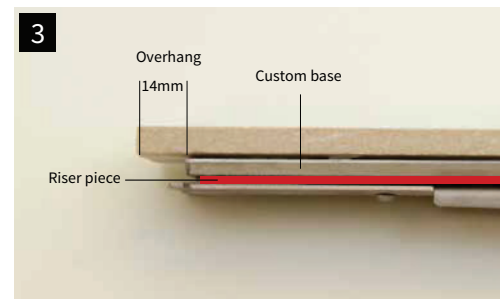
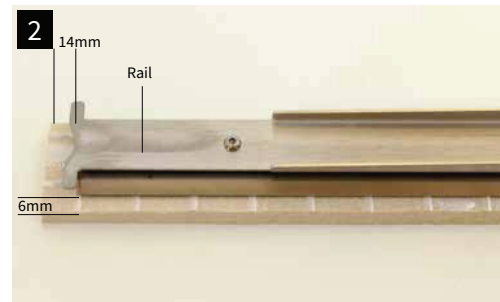
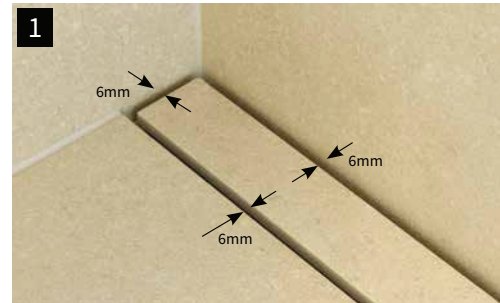
3. Base sides

Lay own tiles on base with overhang of max. 20mm (depending on tile thickness and type of tile. In this example the overhang is 14mm).

4. Base, long side

Lay own tiles on base with overhang of max. 10mm (depending on tile thickness and type of tile.)

5. In this example the overhang is 6mm.



*Extended horizontal flange required for a 20mm tile

Manufacture	Product
Bostik	<ul style="list-style-type: none"> Maxibond Maxibond X-TREME Clearbond
Danalim	<ul style="list-style-type: none"> Montage Ekstra 292 Turbo tack 291
Henkel	<ul style="list-style-type: none"> Pattex no more nails
Novatech	<ul style="list-style-type: none"> Tec7 Trans7

The products are shown in random order